

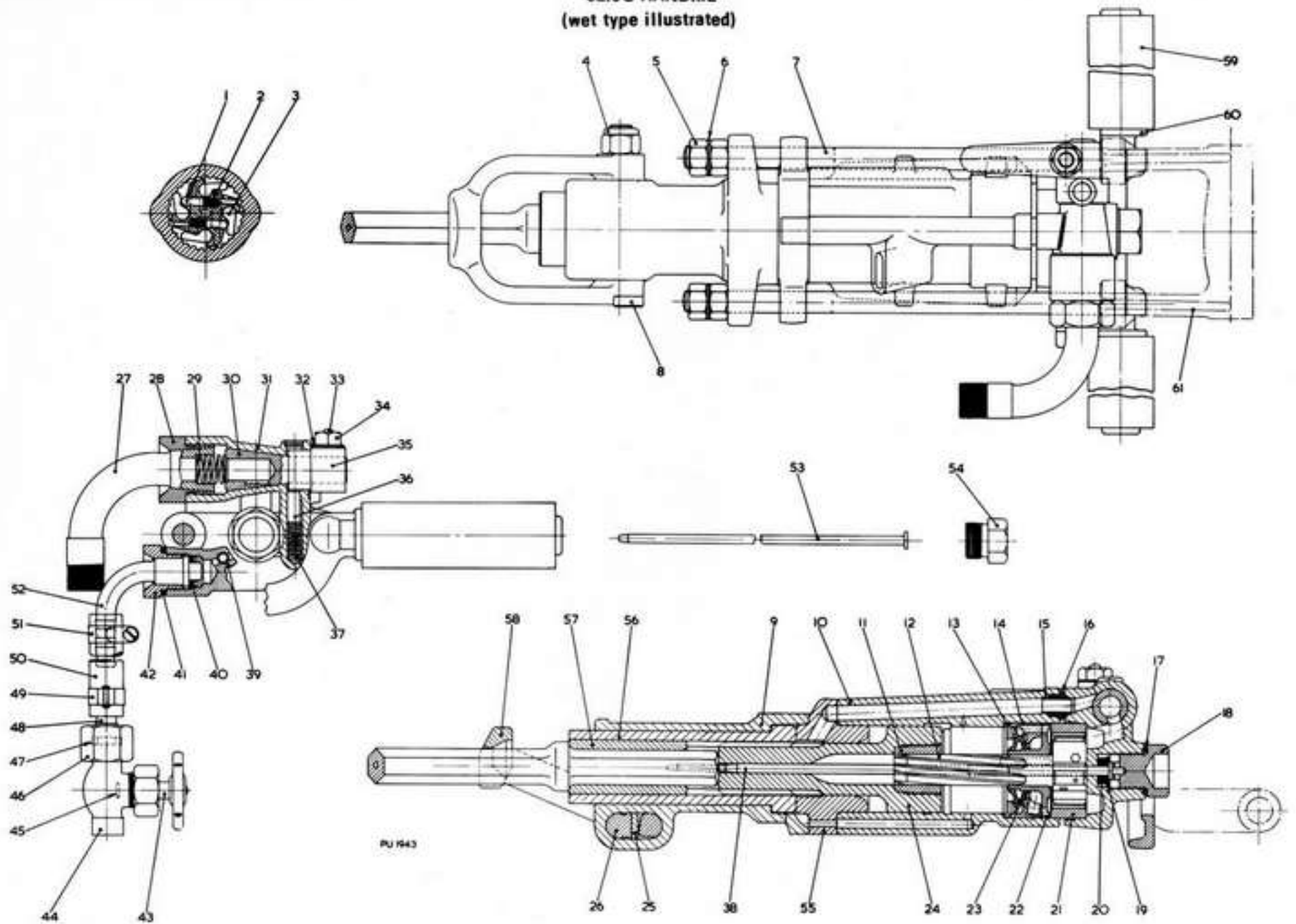


## Parts list and instructions

### SL.9G Handril

NOVEMBER 1970  
Revised October 1978  
Publication No. TTP011

**SL.9G HANDRIL**  
 (wet type illustrated)



STANDARD BUILDS:- WET OR DRY - STANDARD TYPE CYLINDER WASHER - 7/8 INCH OR 1 INCH HEX CHUCK BUSH FOR 4/4 INCH SHANK STEEL (COLLARED) OR 7/8 INCH HEX CHUCK BUSH FOR 3/4 INCH SHANK STEEL (COLLARED) - BAR HANDLE

NON-STANDARD OR WITHDRAWN BUILDS:- AIRLEG MOUNT CYLINDER WASHER - 'D' OR EXTENSION HANDLE

PARTS COMMON TO ALL BUILDS

Ref. No.	Part No.	Name of Part	Qty.	Ref. No.	Part No.	Name of Part	Qty.
1	3140 C 00120	Plunger - Pawl	4	20	3140 B 00370	Seal - Water Tube	1
2	3020 B 00110	Spring - Plunger	4	21	3058 B 01920	Ratchet Ring	1
3	3142 B 00110	Pawl	4	22	3058 B 01900	Back End - Valve Chest	1
4	912001015	Nut (1/2 in U.N.F.) - Retainer Bolt	2	23	3058 C 00960	Valve	1
5	912001017	Nut (5/8 in U.N.F.) Side Rod	4	24	3058 C 00131	Piston	1
6	910007019	Washer (5/8 in, internal shakeproof)	2	25	3206 B 00820	Wear Plate	1
7	3058 B 01970	Side Rod	2	26	3206 B 00830	Compression Pad	1
8	3206 C 00810	Bolt - Retainer	1	-	3058 A 02010	Back Head Assembly	1
9	3058 D 02250	Front Cover	1	-	3182 B 00600	Air Swivel Assembly	1
10	3058 D 01842	Cylinder	1	27	3182 C 00220	Stem (Air Inlet)	1
11	3065 B 00051	Rifle Nut	1	28	3182 C 00230	Nut - Air Inlet Stem	1
12	3058 C 01880	Rifle Bar	1	29	3182 B 00610	Spring - Tumbler	1
13	3058 C 00980	Front End - Valve Chest	1	30	3059 B 00280	Tumbler	1
14	3058 C 02500	Valve Chest	1	31	3058 D 01910	Back Head	1
*	902001506	Dowel (3/16 in dia x 1 11/32 in long, plain) - Valve Chest	1	32	910009016	Washer (7/16 in, external shakeproof)	1
15	3059 B 00240	Tube (Blowing Connecting)	1	33	3181 B 00200	Bolt - Tumbler Handle	1
16	3059 B 03460	Seal - Blowing Connecting Tube	1	34	912001014	Nut (7/16 in U.N.F.)	1
17	3182 B 00190	Washer - Back Head Plug	1	35	3059 C 00120	Handle - Tumbler	1
18	3058 B 01940	Plug - Back Head	1	36	3048 B 00591	Plunger - Tumbler	1
19	3191 B 00360	Washer - Water Tube	1	37	3048 B 00580	Spring - Plunger	1

\* Not illustrated